

Check the Included Items

After opening the package, check that all of the included items are present. If anything is missing, contact your dealer.

- Unit (KT-9/FD-9)
- Owner's Manual
- Connection cable

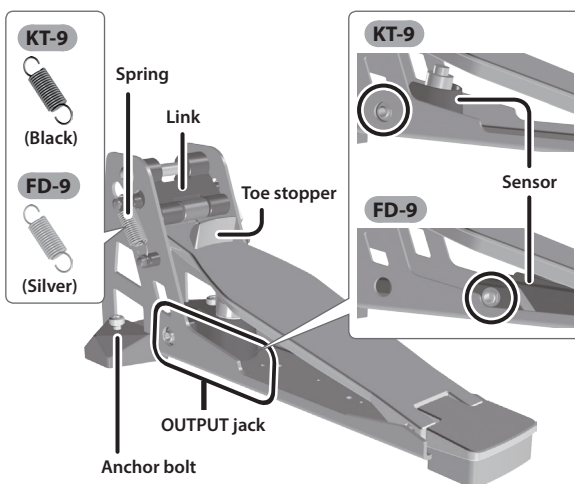
- KT-9 only**
- Weight
 - Screw

* A Phillips screwdriver for attaching the weight and anchor bolt is not included. You'll need to provide a Phillips screwdriver of the appropriate size.

Main Features

This unit is a pedal featuring a stop mechanism using a link and spring. Since it tends to not produce loud noise or vibration, it remains quiet, allowing you to enjoy performing without inconvenience to other people nearby. By using this unit in conjunction with the separately sold noise eater (NE-10), you can further reduce any noise or vibration transmitted to the floor below.

Descriptions



* Do not touch the sensor area or insert a foreign object into it. Doing so will cause faulty operation or malfunction.

Using the Anchor Bolts

If you're using this unit on a V-Drums mat, on a noise eater (NE-10), or on carpet, extending the anchor bolts will secure the unit in place, making it easier for you to perform.



When using on the V-Drums mat, noise eater, or carpet

When using on the floor

- * When used on flooring, the anchor bolts may damage the floor.
- * The tips of the anchor bolts are sharp. Handle with care.

Setup

Connections

Connect this unit's OUTPUT jack to your sound module, using the connection cable of your sound module or the included connection cable.

KT-9

Sound module	Connection cable	Jack
TD-30	Connection cable of sound module (KIK)	KICK
TD-25/TD-15/TD-11/TD-1		-
HPD-20	Connection cable included with this unit	TRIG IN
SPD-30		1/KICK
SPD-SX		TRIG IN 1/2, TRIG IN 3/4
TM-2		TRIG IN 1, TRIG IN 2

FD-9

Sound module	Connection cable	Jack
TD-30	Connection cable of sound module (HHC)	HH CTRL
TD-25/TD-15/TD-11/TD-1		-
HPD-20	Connection cable included with this unit	HH CTRL
SPD-30		HH CTRL

Sound Module Settings

KT-9

Sound module	Value	
TD-30	"TRIGGER" → "TRIGGER SENSITIVITY" → "KICK"	Trig Type: KT-10
	"TRIGGER" → "TRIGGER ADVANCE" → "THRE" → "KICK"	Threshold: 13
TD-25	"MENU" → "SETUP" → "TRIGGER SETTINGS" → "KICK"	Type: KT-10 Threshold: 13
TD-15	"KIT MENU" → "SYSTEM" → "PAD SETTINGS" → "KIK"	Pad Type: KT-10 Threshold: 13
TD-11	"Pad type"	Kick pedal: 3
HPD-20	"MENU" → "SYS" → "ExtTrigger Settings" → "TYPE"	Type: KD-140
	"MENU" → "SYS" → "Pad Settings" → "SENS"	Threshold: 13
SPD-30	"MENU" → "PAD SETTING" → "EXTERNAL"	Type: KD-140 Threshold: 13
	"SETUP" → "TRIG IN" → "INPUT MODE" → "TRIGx2"	TRIG 1 TYPE: KT-10 ("TRIG 3 TYPE" if connected to the TRIG IN 3/4 jack) or TRIG 1/2 TYPE: KT-10 ("TRIG 3/4 TYPE" if connected to the TRIG IN 3/4 jack)
SPD-SX	"SETUP" → "TRIG IN" → "INPUT MODE" → "HEAD&RIM"	THRESHOLD: 13
	"SETUP" → "PAD SENS"	Type: KT-10 Threshold: 13
TM-2	"SETUP" → "TRIGGER SETUP"	Type: KT-10 Threshold: 13

* Use the Sensitivity setting (Sens) to adjust the sensitivity of the pad to your taste.

* If double triggering occurs, adjust the sensitivity by increasing the value of the sound module's trigger parameter "Threshold."

* If you're using any other sound module, set the parameters to approximately the following values: Sens: 10, Threshold: 13, and Scan Time: 2.8.

FD-9

Sound module	Value	
TD-30	"TRIGGER" → "TRIGGER HI-HAT"	Trig Type: VH11

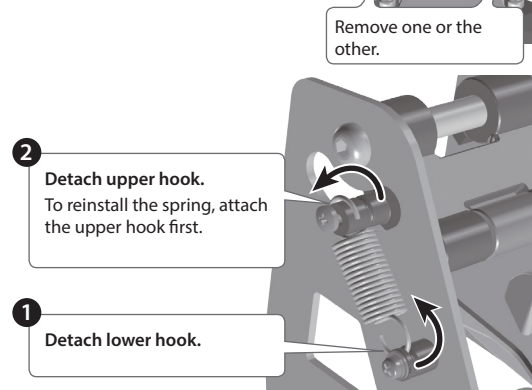
* This setting is not necessary for sound modules other than the TD-30.

Adjusting the Feeling

By Adjusting the Spring

You can lighten the feeling by removing either the left or the right spring.

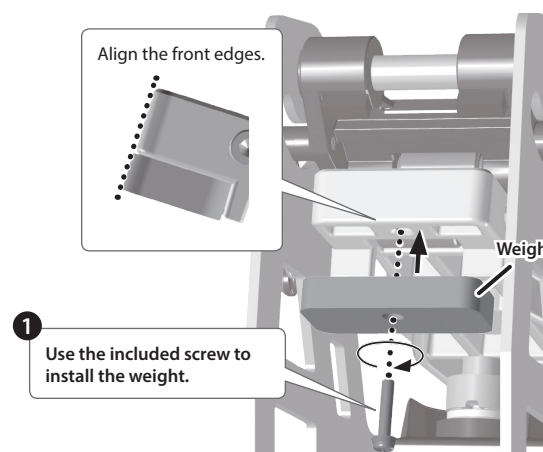
* Take care not to pinch your finger when removing or installing a spring.



By Attaching the Weight

KT-9 only

You can make the feeling heavier by installing the included weight.



* After installing the weight, make sure that the screw is tight.

Adjusting the feeling will change the amount of noise/vibration

Be aware that removing a spring or installing the weight will increase the noise/vibration when performing.

Springs	Two	One
Noise/vibration	Less	More
Feeling	Heavy	Light

Weight	Removed	Installed
Noise/vibration	Less	More
Feeling	Light	Heavy

USING THE UNIT SAFELY

WARNING

Do not disassemble or modify by yourself

Do not carry out anything unless you are instructed to do so in the owner's manual. Otherwise, you risk causing malfunction.

Do not repair or replace parts by yourself
Refer all servicing to your retailer, the nearest Roland Service Center, or an authorized Roland distributor, as listed on the "Information."

Do not use or store in the following types of locations

- Subject to temperature extremes (e.g., direct sunlight in an enclosed vehicle, near a heating duct, on top of heat-generating equipment); or are
- Damp (e.g., baths, washrooms, on wet floors); or are
- Exposed to steam or smoke; or are
- Subject to salt exposure; or are
- Exposed to rain; or are
- Dusty or sandy; or are
- Subject to high levels of vibration and shakiness; or are
- Placed in a poorly ventilated location.

Do not place in an unstable location

Otherwise, you risk injury as the result of the unit toppling over or dropping down.

WARNING

Do not allow foreign objects or liquids to enter unit; never place containers with liquid on unit

Do not place containers containing liquid (e.g., flower vases) on this product. Never allow foreign objects (e.g., flammable objects, coins, wires) or liquids (e.g., water or juice) to enter this product. Doing so may cause short circuits, faulty operation, or other malfunctions.

Be cautious to protect children from injury

Always make sure that an adult is on hand to provide supervision and guidance when using the unit in places where children are present, or when a child will be using the unit.

Do not drop or subject to strong impact
Otherwise, you risk causing damage or malfunction.

CAUTION

Route all power cords and cables in such a way as to prevent them from getting entangled

Injury could result if someone were to trip on a cable and cause the unit to fall or topple.

Disconnect all cords/cables before moving the unit

Damage or malfunction may result if you fail to disconnect all cables before moving the unit.

Take care so as not to get fingers pinched

When using this unit, take care not to pinch your fingers. Whenever a child uses the unit, an adult should be on hand to provide supervision and guidance.

Keep small items out of the reach of children

To prevent accidental ingestion of the parts listed below, always keep them out of the reach of small children.

Included Parts (KT-9 only):

- Weight
- Screw

Removable Parts:

- Spring
- Screws

IMPORTANT NOTES

Placement

- When moved from one location to another where the temperature and/or humidity is very different, water droplets (condensation) may form inside the unit. Damage or malfunction may result if you attempt to use the unit in this condition. Therefore, before using the unit, you must allow it to stand for several hours, until the condensation has completely evaporated.
- Depending on the material and temperature of the surface on which you place the unit, its rubber feet may discolor or mar the surface.

- In some cases, grease might seep out from the link, but this is not a problem for use. If it is a concern, wipe it off with a soft cloth.

Maintenance

- Never use benzine, thinners, alcohol or solvents of any kind, to avoid the possibility of discoloration and/or deformation.

Additional Precautions

- To avoid malfunctions, do not apply excessive force to the jack.
- When disconnecting all cables, grasp the connector itself—never pull on the cable. This way you will avoid causing shorts, or damage to the cable's internal elements.
- This instrument is designed to minimize the extraneous sounds produced when it's played. However, since sound vibrations can be transmitted through floors and walls to a greater degree than expected, take care not to allow these sounds to become a nuisance others nearby.

Trademarks

- Roland, BOSS, V-Drums, and Noise Eater are either registered trademarks or trademarks of Roland Corporation in the United States and/or other countries.
- Company names and product names appearing in this document are registered trademarks or trademarks of their respective owners.

Main Specifications

	Roland KT-9: Kick Trigger Pedal	Roland FD-9: Hi-Hat Control Pedal
Dimensions	139 (W) x 365 (D) x 158 (H) mm 5-1/2 (W) x 14-3/8 (D) x 6-1/4 (H) inches	
Weight	2.0 kg/4 lbs 7 oz	
Accessories	Owner's manual, Weight, Screw, Connection cable	Owner's manual, Connection cable
Option (sold separately)	Noise eater (NE-10)	

* In the interest of product improvement, the specifications and/or appearance of this unit are subject to change without prior notice.